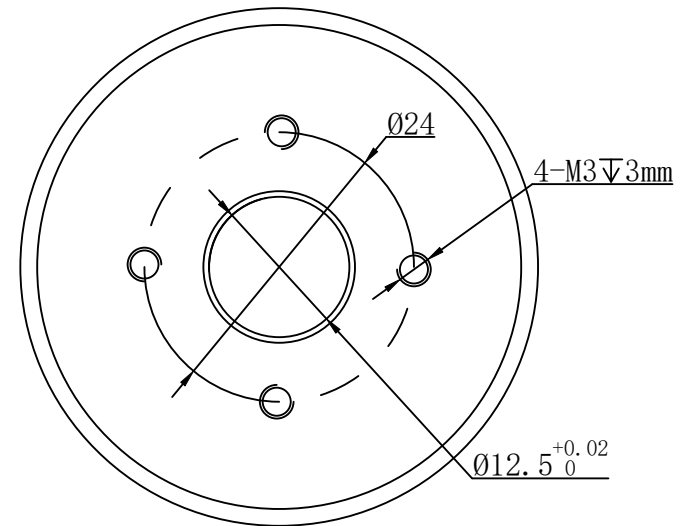
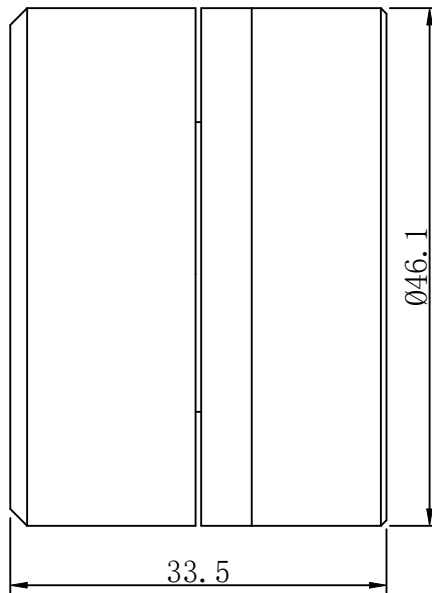
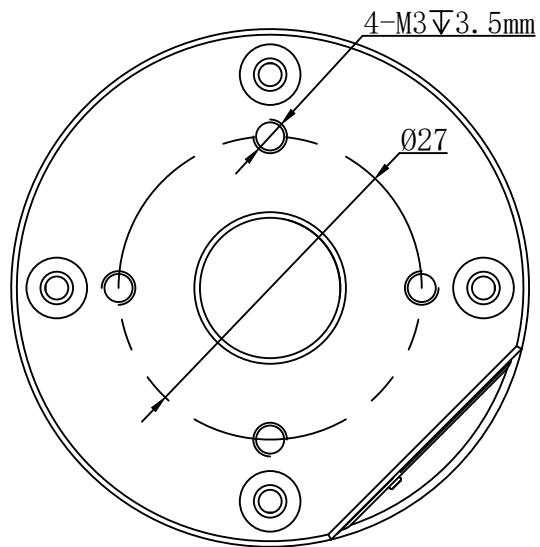



变更内容	版本	时间
/	/	/
/	/	/



保密说明: PROPRIETARY AND CONFIDENTIAL 此份图纸包含的所有信息均只属于CubeMars财产。未经CubeMars书面许可, 禁止部分或全部复制。 THE INFORMATION CONTAINED IN THIS DRAWING IS THE SOLE PROPERTY OF CubeMars. ANY REPRODUCTION IN PART OR AS A WHOLE WITHOUT THE WRITTEN PERMISSION OF CubeMars IS PROHIBITED.				 MOTIVATE ADVANCED ROBOTIC SYSTEM			
	签名(NAME)	日期(DATE)	标题(TITLE)	电机			
制图(DRAWN)	/	/	型号(DWG. NO)	GL40II			
审核(CHECKED)	/	/	版本(REV)	A	单位(UNIT)	mm	
此图纸标注的尺寸有限。个别尺寸公差据要求提供。 THIS IS A LIMITED DIMENSION DRAWING. SPECIFIC TOLERANCE AVAILABLE UPON REQUEST.				比例(SCALE)	1:1	视角(VIEW)	